


Mini Dome-Internal Camera (1080P)



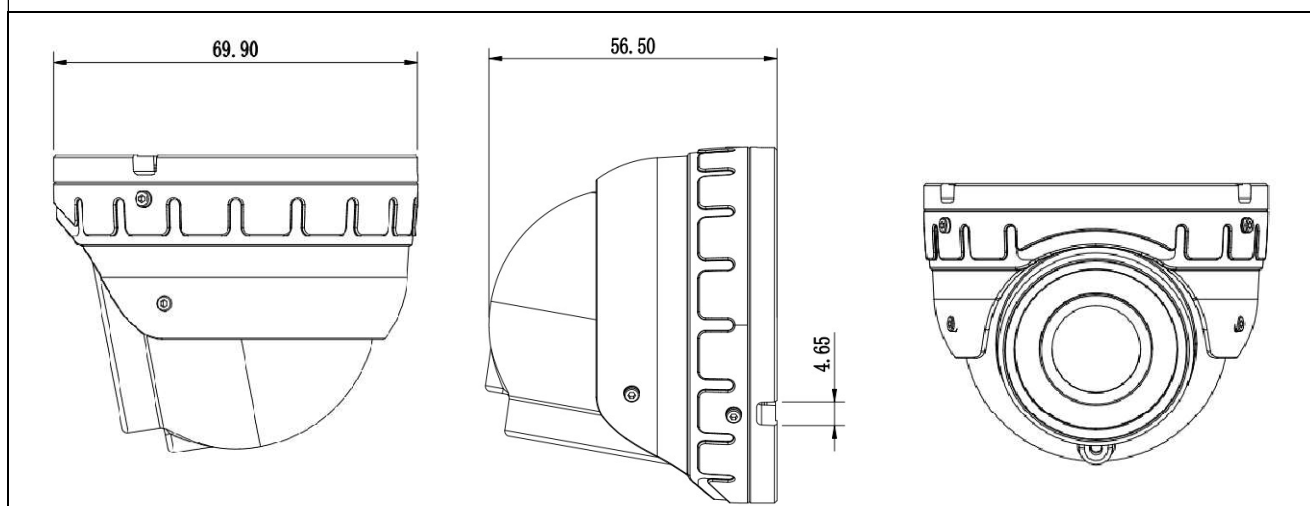
Product picture	Product features
	<ul style="list-style-type: none"> ● 1/2.8 " 2.13M pixel CMOS ● Resolution: 1920H*1080V ● Minimum illumination: 0lux (IR ON); 0.05lux (IR OFF) ● Auto electronic shutter, auto exposure and auto white balance ● 2.5mm, 2.8mm and 3.6mm lens are supported. IR range is up to 5-8 meters ● IP65(audio)/IP67(no audio). Compact design and simple installation to ensure the vehicle damping performance ● Internal audio pick-up with the maximum audio collection range of 5 meters

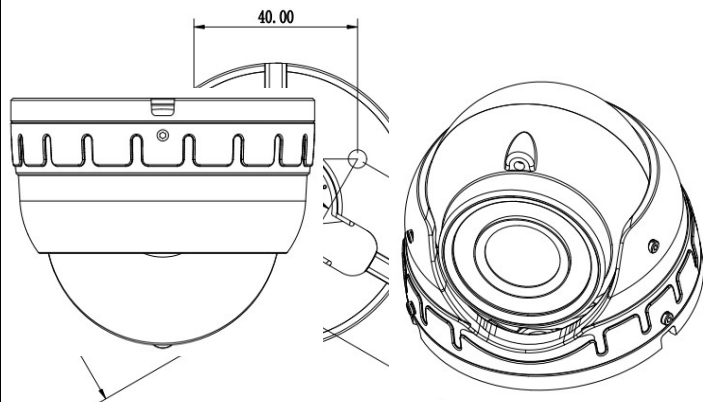
Technical parameters

Product model	SVT-A6320H
Imaging sensor	1/2.8 " 2.13M pixel CMOS
Resolution	1920H*1080V
Standard	PAL/NTSC
Minimum illumination	0lux (IR ON); 0.05lux (IR OFF)
Synchronization system	Internal synchronization
Scanning system	Progressive scan
S/N	≥ 52dB
Electronic shutter	1/25s-1/25,000s (auto)
Day/night mode	ICR IR filter
White balance	Auto tracking of white balance
Auto gain	Supported
3D noise reduction	Supported

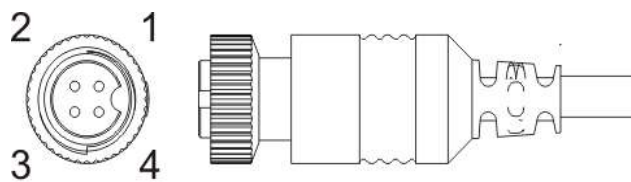
Backlight compensation	Supported
Digital WDR	Supported
Lens	2.5mm M12@ F2.0, FOV: HFOV: 123° VFOV: 69° DFOV: 141°
	2.8mm M12@ F2.0, FOV: HFOV: 103° VFOV: 56° DFOV: 121°
	3.6mm M12@ F2.2, FOV: HFOV: 88° VFOV: 49° DFOV: 103°
IR range	5-8m
Video output	1.0Vp-p Composite video output, 75Ω, 4PIN aviation cable
Audio input	Internal audio pick-up with the maximum audio collection range of 5 meters
Power supply	DC12V± 10%
Power consumption (max)	120mA/DC12V±5%
Operating temperature	-40°C ~ 70°C
Operating humidity	<95% (no condensation)
IP rating	IP65 (audio); IP67 (no audio)
Installation mode	Support ceiling-suspended installation
Dimensions	70mm*70mm*56.5mm (L*W*H)
Net weight	About 210g

Product dimensions





Interface of video output cable



Aviation RS765-4(Female)

1---12V DC(+)	3---AUDIO
2---GND	4---VIDEO