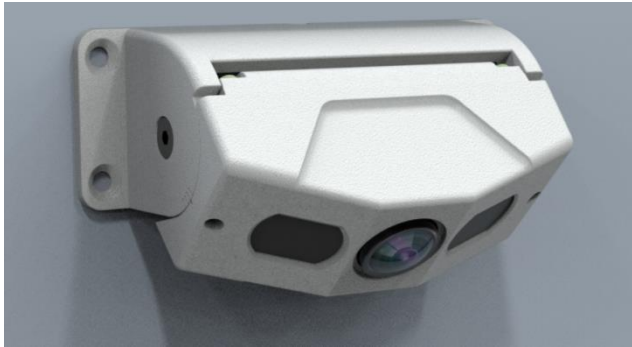


IP67 BSA Side 4-PIN Camera



AHD Blind Spot Area Camera

Product

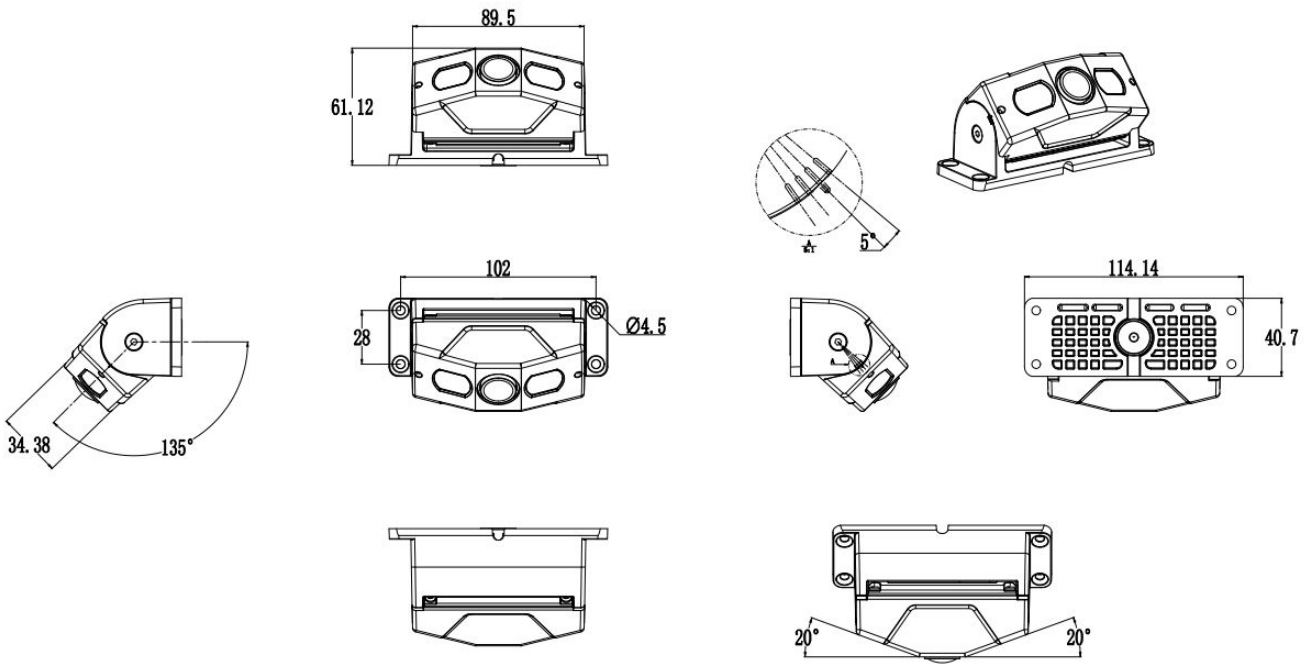


Main Features

- 1920*1080@25/30fps Resolution.
- Support PON (DC12V) power supply
- High light-sensitivity and ultra-wide dynamic range, with 4 powerful infrared light to ensure the effects of night view
- Wide-angle lens with maximum field of view: HFOV≈170° (DFOV≈185°).
- Slope design of the shell, alleviating the risk of camera damage from side scratching
- Exposed lens design reduces the impact of rain and dust on imaging
- The relative speed does not exceed 30Km/h and the image within 3m laterally meets the detection requirements of the algorithm
- Comply with the vehicle seismic structure design, with the waterproof class of IP67
- Magnetic bracket, easy to install and no need to drill holes to destroy the vehicle
- Application Scenario: Overlook Blind Spot Detection

Specification

Product Model	CA46
Sensor	1/1.8" 2 MP CMOS
Resolution	1920(H)x1080(V)
Minimum Illumination	10Lux(Color),0Lux(Infrared)
Electronic Shutter	1/100 Second-1/10000 Second
Black-light Compensation	Support
S/N	≥50dB
Fill Light	N/A
Lens	1.8mm, M12 Fixed Aperture F2.0
FOV	1.8mm=H*V=160° * 86°
Image Resolution	Main Stream:1080P @ 25/30fps
Audio Input	N/A
Audio Capture Range	N/A
Adjustable Angle	Adjustable Angle in Vertical Direction: 30~50 Degree, No Adjustment in Horizontal Direction
Installation Features	Installed at the Exterior Sides of the Vehicle
Operational Temperature	-40℃-- +70℃
Operation Humidity	0% - 90%
Power Supply	PON (DC9-16V)
Waterproof Class	IP67
Power Consumption	Normal Working State <1.0W/IR LED On <8W
Dimension(Unit in mm)	114.14mm(L)x40.7mm(W)x61.12mm(H)



Video Output Terminals



航空RS765-4 (母头)

- | | |
|--------------|---------------|
| 1---12VDC(+) | 3---N/A |
| 2---12GND(-) | 4---AHD VIDEO |