

Features

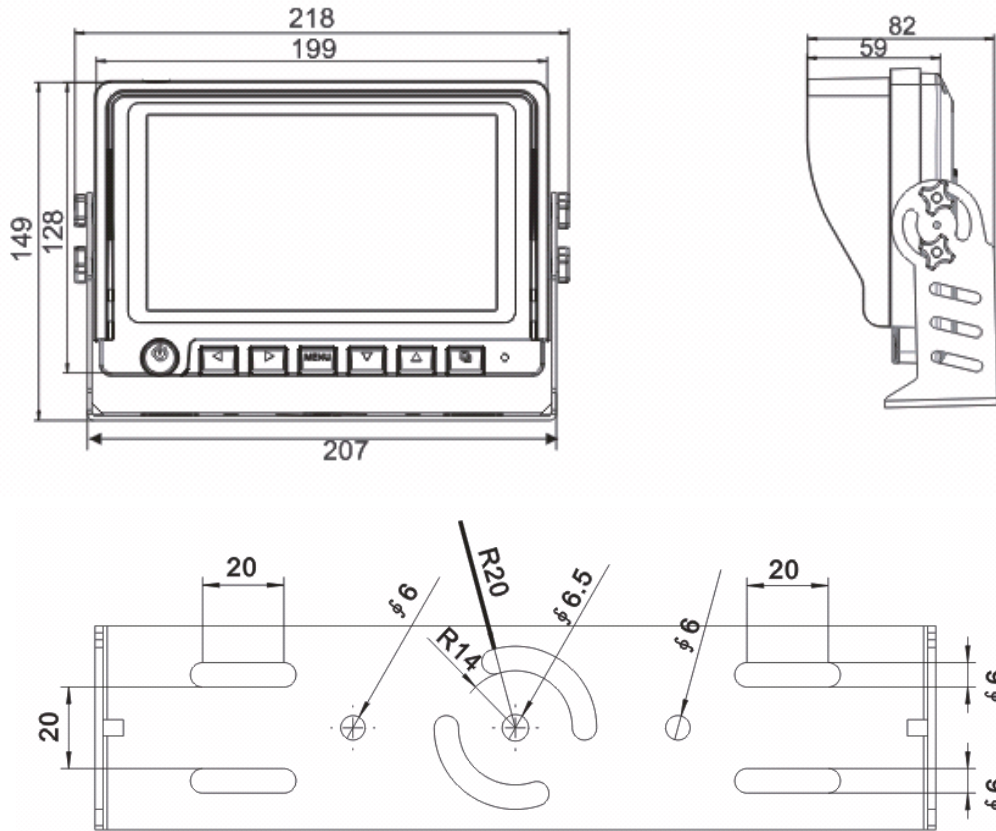
- ★Patent on the monitor design, monitor housing is made by ABS which has ability of high temperature resistant.
- ★7" High Resolution Color TFT-LCD. LED backlight.
- ★DC8~32V power input, suitable for all kinds of vehicles and equipments.
- ★Monitor brightness 400cd.
- ★Monitor circuit has protector for battery reverse(+/-). (Prevent the human error damage)
- ★LED backlight display with constant voltage constant current circuit protection design.(Solve LED work temperature reaches the limit of its current damage and prolong service life)
- ★Display with ESD protection circuit design (To prevent electrostatic damage to the external environment);
- ★Monitor OSD menu can set each camera image in 4 mode NOR/MIR/UP/DOWN
- ★Various language menu optional, suitable for various countries;
- ★Support one or two Video input, 1 CH video input without audio for standard.
- ★High shock resistant rating: 8G

Model:SP-769L

Technical parameters

Display Device	Color TFT-LCD
Size	7" (16:9)
Interface	Digital TTL
Resolution	800×(RGB)×480
Active Area (mm)	153.60×86.64
View Angle (LR/UD)	L/R: 70/70 U/D: 50/70
Contrast Ratio	500:1
Luminance(nits)	450
Response Time(ms)	25
Connector	4pin aviation female Connector
Operating Temperature	-20℃ ~+70℃
Storage Temperature	-30℃ ~+80℃
Application Power Supply	DC8V~32V (5W Max)

Monitor Appearance and Dimension(Unit: mm)



3、Port name

Unit: mm

